

# INDUSTRIAL Rainwear



[StormForce™](#)

[StormShield™](#)

[StormCreek™](#)

[StormCreek II™](#)

[EconoFlex™](#)

[NitriShed™](#)

[RuggedWear™](#)

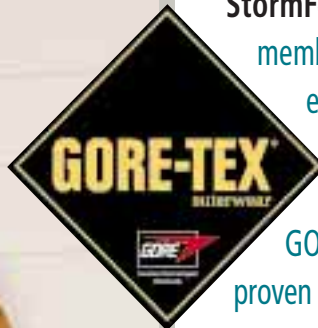
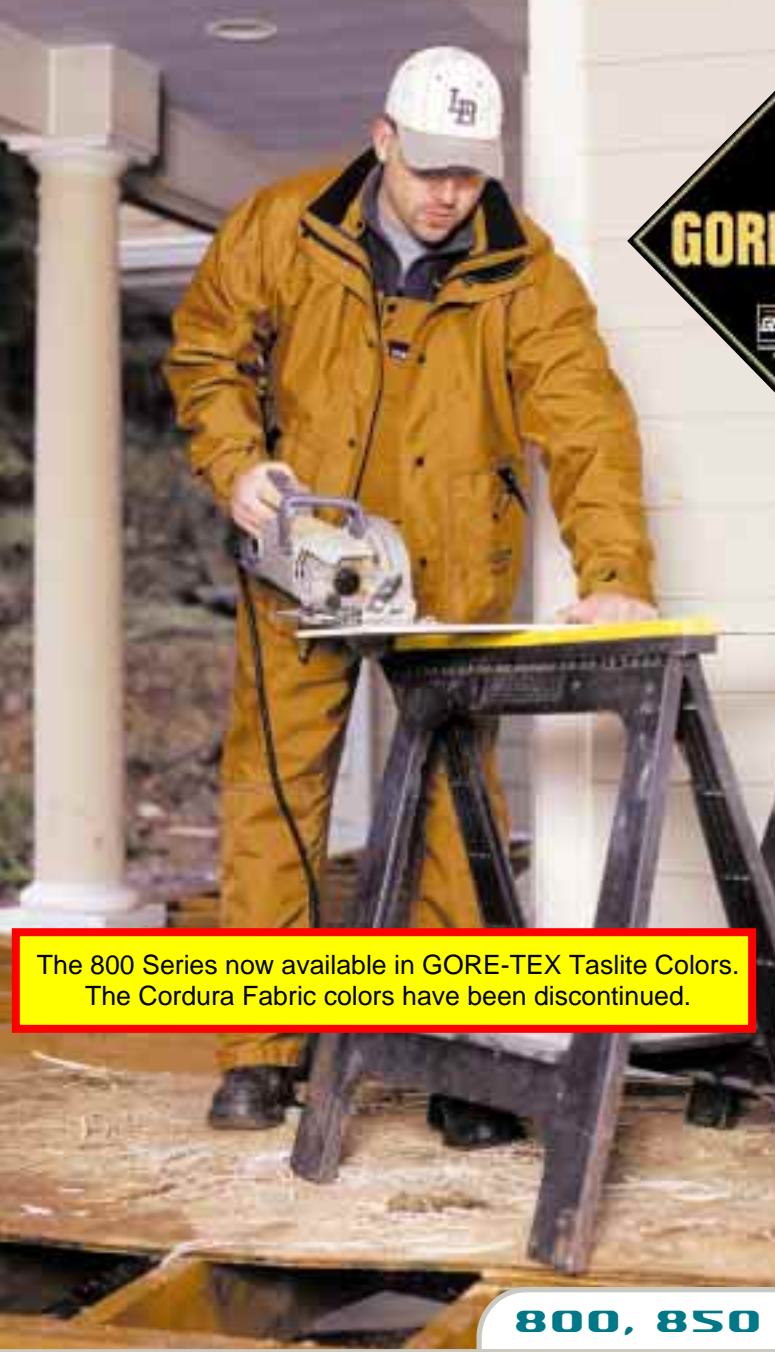
[SilverRiver™](#)

[Info & Options](#)

C A T A L O G

# STORMFORCE™

StormForce™ GORE-TEX® Fabric (800 Series)



StormForce is made with a 20% heavier GORE-TEX® membrane laminated between 330 denier Cordura® exterior material and nylon inner material. It is super abrasion resistant, durable, flexible and passes GORE's highest GPS-2 standard. 1" wide GORE-SEAM® tape is used on all stitched seams. GORE's proven materials are used in WaterShed's innovative designs to create the StormForce line of hardy workwear for use in an unlimited number of non-toxic applications.

SEE PAGE 13 FOR MORE INFORMATION ABOUT GORE-TEX®

**CARE INSTRUCTIONS:** Machine Wash w/Powdered Detergent, Tumble Dry, No Ironing or Dry Cleaning Needed, Fabric Softener is Not Necessary

The 800 Series now available in GORE-TEX Taslite Colors. The Cordura Fabric colors have been discontinued.

**800, 850**

### 880 COVERALL

- A - Cell Phone Pocket
- B - Orthowic® Lined Pockets
- C - YKK® Waterproof Front Zipper
- D - Articulated Elbow w/High Angle Sleeves
- E - Orthowic® Lined Collar
- F - Hood Snaps for Optional Hood
- G - Orthowic® Beard Guard
- H - Hook & Loop Cuff Closures
- I - YKK® Waterproof Pocket Zippers
- J - Waist Drawcord Across Back
- K - Double Plier Pockets w/Hammer Loops
- L - Reinforced Knees
- M - Pockets for Optional Poron Knee Pads
- N - YKK® Waterproof Zippers from Ankle to Hip

**OPTIONS**  
Reflective Tape, Adjusted Sleeve and Garment Length, Poron Knee Pads

### 800 JACKET

- A - Cell Phone Pocket
- B - Orthowic® Lined Pockets
- C - YKK® #8 Front Zipper
- D - Articulated Elbow w/High Angle Sleeves
- E - Orthowic® Lined Collar
- F - Hood Snaps for Optional Hood
- G - Mesh Lining
- H - Orthowic® Beard Guard
- I - Hook & Loop Cuff Closures
- J - Double Storm Flap
- K - YKK® Waterproof Zippers

**OPTIONS:** Reflective Tape, Pockets, Adjusted Sleeve Length, Other Options on Page 13-14

### 850 BIB OVERALL

- A - Cell Phone Pocket
- B - Orthowic® Lined Pockets
- C - Heavy Duty Elastic Suspenders
- D - YKK® Waterproof Pocket Zippers
- E - YKK® Waterproof Front Zipper
- F - Double Plier Pockets w/Hammer Loops
- G - Reinforced Knees
- H - Pockets for Optional Poron Knee Pads
- I - YKK® Waterproof Zippers from Ankle to Hip

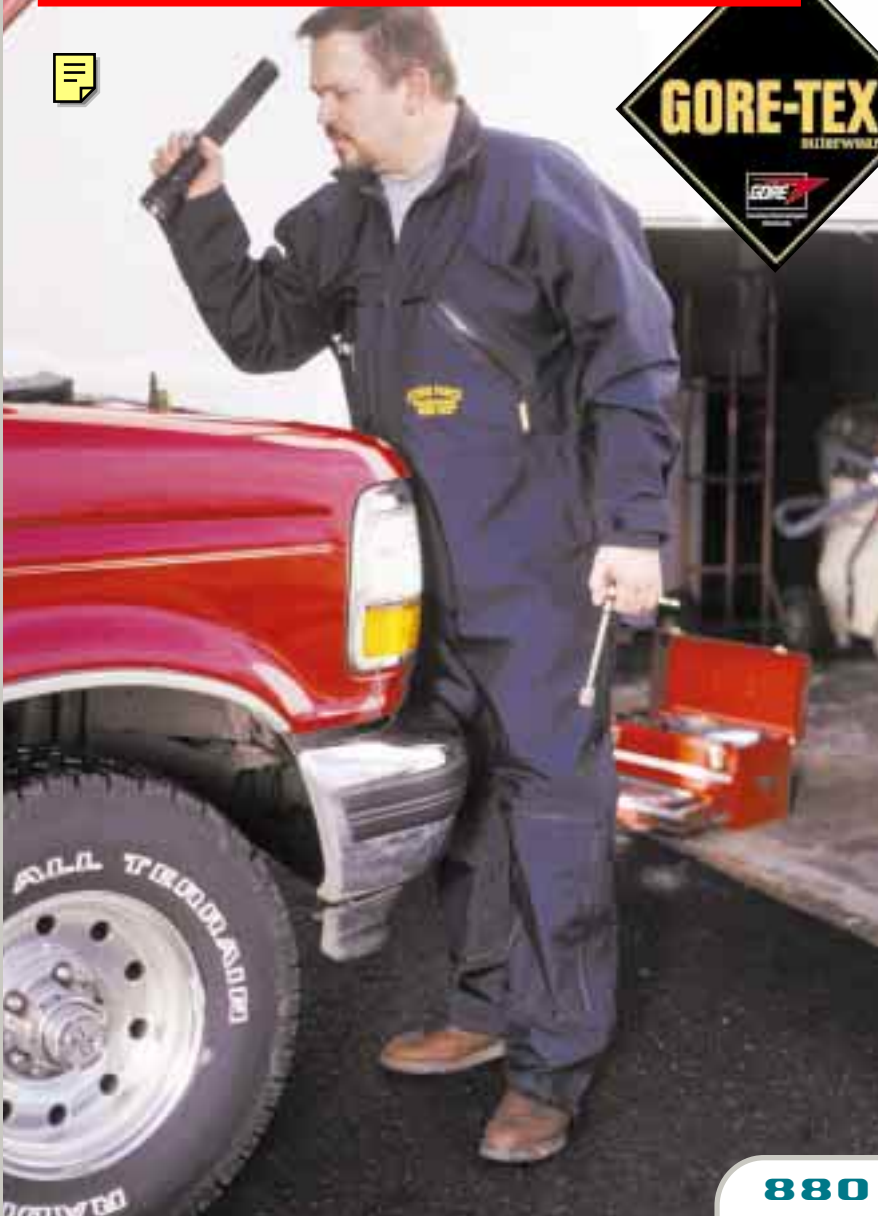
**OPTIONS**  
Reflective Tape, Adjusted Garment Length, Poron Knee Pads

**SIZES:** XS – 4XL (Special Order: 5XL+)    **COLORS:** CORDURA YELLOW    CORDURA NAVY BLUE    CORDURA BROWN    CORDURA BLACK

# STORMFORCE™

StormForce™ GORE-TEX® Fabric (800 Series)

The 800 Series now available in GORE-TEX Taslite Colors. The Cordura Fabric colors have been discontinued.



895



896

## ▲ FLEECE w/WINDSTOPPER® LINING

Zips into 800 Series jackets. Made with warm, soft lightweight 200 wt. Polarfleece for the exterior and a proven performer, GORE-TEX® Windstopper® fabric interior lining. Abrasion resistant Cordura® protects the shoulders. Two zippered front pockets will securely hold valuables. Available in Red, Yellow and Black.



890



891

## ▲ THERMOLITE® LINERS

Zips into 800 Series jackets. Quilted insulation liners are made with DuPont® Thermolite® Plus 200 gram insulation material. Warm, soft and lightweight. Traps body heat and allows sweat vapor to escape.

ALSO AVAILABLE: Item 892-Thermolite® Pants

880

## ◀ LONG UNDERWEAR

**Discontinued**

Material. A soft inner lining wicks moisture away from your skin. The outer layer resists abrasion and pilling. The four-way stretch moves with you in any direction while retaining its memory for a long life. Flat seams go unnoticed by your skin.



812, 810



894

## ▲ PORON KNEE PADS

Slip these pads into the built-in pockets on the knees of the 850 Bib Overall or 880 Coverall for added comfort and protection.



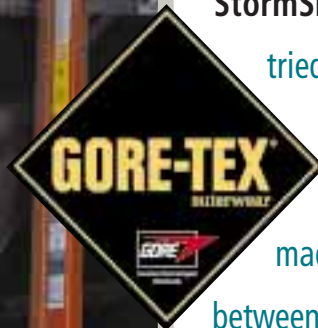
849

## ▲ CARRY BAG

Use this matching waterproof carry bag with waterproof YKK® zipper to store your rainwear or any goods that need additional protection.

# STORMSHIELD™

StormShield™ GORE-TEX® Fabric (900 Series)



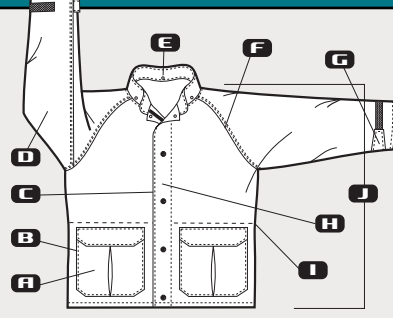
StormShield is the favorite of anyone who has tried it, providing the driest, most comfortable environment in severe weather due to its remarkable breathability. StormShield is made of the GORE-TEX® membrane laminated between a long wearing polyester outer layer and nylon inner layer. This has proven to be very durable in many applications. All seams are stitched for strength and GORE-SEAM® tape sealed for waterproofing.

SEE PAGE 13 FOR MORE INFORMATION ABOUT GORE-TEX®

**CARE INSTRUCTIONS:** Machine Wash w/Powdered Detergent, Tumble Dry, No Ironing or Dry Cleaning Needed, Fabric Softener is Not Necessary

**960, 950**

## 960 DELUXE 30" JACKET

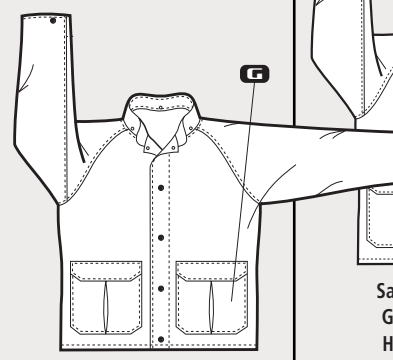


- A - Bellow Style Cargo Pockets
- B - Fleece Lined Handwarmer Pockets
- C - 23" Two Way YKK® Zipper
- D - Full Cut for Ease of Movement
- E - Hood snaps for Optional Hood
- F - Double Stitched at All Stress Points
- G - Hook & Loop Cuff Closures
- H - Double Storm Flap
- I - Drawstring Waist Adjustment
- J - 30" Jacket Length

OPTIONS: Reflective Tape, Pockets, Adjusted Sleeve Length, Other Options on Page 13-14

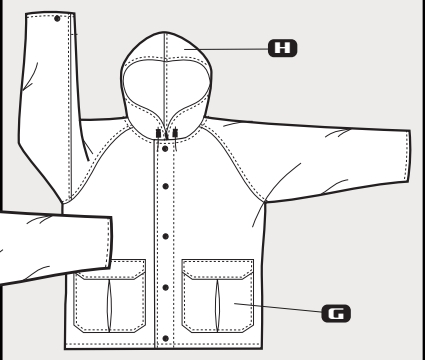
## 935 JACKET

Same Features as 900 with:  
G - Bellow Style Cargo Pockets

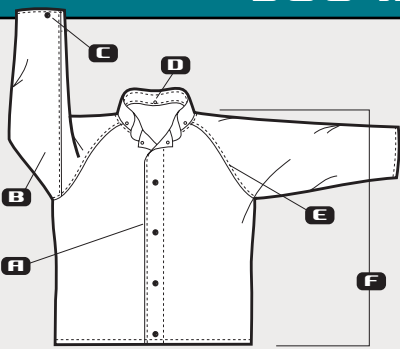


## 937 HOODED JACKET

Same Features as 900 with:  
G - Bellow Style Cargo Pockets  
H - Attached Hood w/Drawstring



## 900 JACKET



- A - Snap Storm Front
- B - Full Cut for Ease of Movement
- C - Snap Cuffs
- D - Hood Snaps for Optional Hood
- E - Double Stitched at All Stress Points
- F - 30" Jacket Length

OPTIONS  
Reflective Tape, Pockets, Adjusted Sleeve Length, Other Options on Page 13-14

SIZES: XS – 4XL (Special Order: 5XL+)    COLORS: YELLOW   ROYAL BLUE   NAVY BLUE   ORANGE   FOREST GREEN   RED   BLACK   LIGHT BROWN   CHOC. BROWN

# STORMSHIELD™

StormShield™ GORE-TEX® Fabric (900 Series)

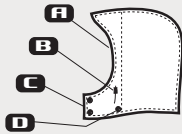


▲ UNIQUE HOOD DESIGN PROVIDES GREAT PROTECTION

## 975 HOOD

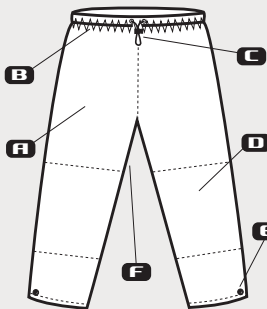
- A - Designed for Good Side Vision
- B - Drawstring Adjustment
- C - Wraps Around Chin w/Snap Closures
- D - Snaps onto Any WaterShed Jacket

MEDIUM: Fits Close to Head  
 LARGE: Fits Over Cap  
 X-LARGE: Fits Over Hardhat



950, 970, 925

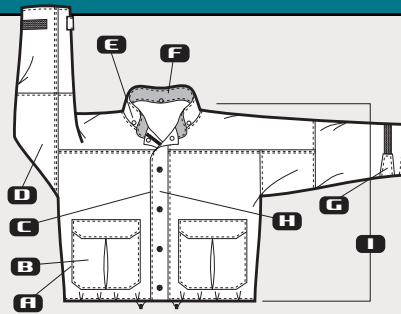
## 925 PANT



- A - Full Cut for Ease of Movement
- B - 1 1/2" Heavy Elastic Waistband
- C - Adjustable Drawstring w/Toggle
- D - Reinforced Double Knee
- E - Adjustable Ankle Snaps
- F - Double Stitching at High Stress Areas

OPTIONS  
 Reflective Tape, Pockets, Leg Zippers, Adjusted  
 Garment Length, Cordura® Reinforcements

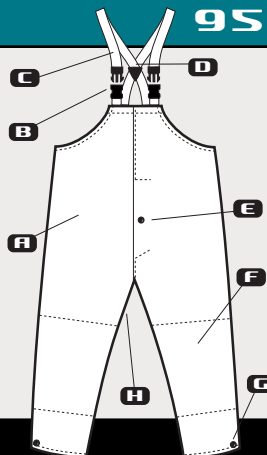
## 969 BOMBER JACKET



- A - Two Fleece Lined Handwarmer Pockets
- B - Two Cargo Pockets w/Flaps
- C - YKK® Front Zipper
- D - High Angle Sleeve for Ease of Movement
- E - Hood Snaps for Optional Hood
- F - Fleece Lined Collar
- G - Hook & Loop Cuff Closures
- H - Double Storm Flap
- I - 30" Jacket Length

OPTIONS: Reflective Tape, Pockets, Adjusted Sleeve Length

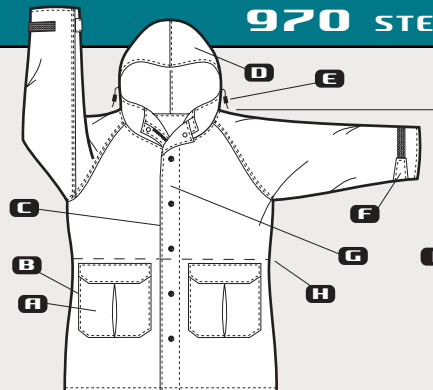
## 950 BIB OVERALL



- A - Full Cut for Ease of Movement
- B - 1 1/2" Side Release Buckles
- C - 1 1/2" Heavy Duty Elastic Suspenders
- D - Suspender Strap Divider
- E - Fly w/Snap
- F - Reinforced Double Knee
- G - Adjustable Ankle Snaps
- H - Double Stitched at High Stress Areas

OPTIONS  
 Reflective Tape, Pockets, Leg Zippers, Adjusted  
 Garment Length, Cordura® Reinforcements

## 970 STEELHEADER PARKA



- A - Bellow Style Cargo Pockets
- B - Fleece Lined Handwarmer Pockets
- C - Two Way YKK® Zipper
- D - Attached Hood w/Drawstring
- E - Hood Toggle Adjustments
- F - Hook & Loop Cuff Closures
- G - Storm Flap w/Snaps
- H - Drawstring Waist Adjustment
- I - 36" Jacket Length

OPTIONS  
 Reflective Tape, Pockets, Adjusted  
 Sleeve Length

DURABLY WATERPROOF, WINDPROOF & BREATHABLE

# STORMCREEK™

StormCreek™ Polyurethane Coated Nylon Fabric (900 Series)



600, 650

StormCreek is WaterShed's most popular line. Why? Value. You get quality for your hard earned money. StormCreek is made of a polyurethane coating on 200 denier nylon. Seams are stitched for strength rather than welded, and are then heat tape sealed to make them waterproof. StormCreek is very flexible, durable and works well in many applications.

CARE INSTRUCTIONS: Machine Wash, Drip Dry

▼ "CORDURA JACK" INCLUDES CORDURA® COVERINGS ON SHOULDERS, ELBOWS, LEGS AND SEAT.



602, 652

### 600 JACKET

- A - Snap Storm Front
- B - Full Cut for Ease of Movement
- C - Double Stitched at All Stress Points
- D - Corduroy Collar
- E - Hood Snaps for Optional Hood
- F - Heat Tape Sealed Seams
- G - 32" Jacket Length

OPTIONS  
Reflective Tape, Pockets, Hook & Loop Cuff Closures, Adjusted Sleeve Length

### 637 HOODED JACKET

- A - Snap Storm Front
- B - Full Cut for Ease of Movement
- C - Double Stitched at All Stress Points
- D - Attached Hood w/Drawstring
- E - Heat Tape Sealed Seams
- F - 32" Jacket Length

OPTIONS  
Reflective Tape, Pockets, Hook & Loop Cuff Closures, Adjusted Sleeve Length

SIZES: XS – 4XL (Special Order: 5XL+)

COLORS:

YELLOW

ROYAL BLUE

ORANGE

FOREST GREEN

RED

BLACK

LIME GREEN

# STORMCREEK™

StormCreek™ Polyurethane Coated Nylon Fabric (900 Series)



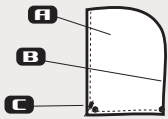
695, 645

38" POLYURETHANE JACKET WITH ▲  
INSIDE LINER AND ATTACHED  
HOOD WITH DRAWSTRING



670, 625

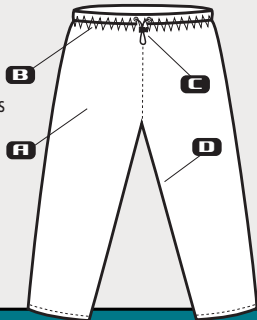
## 675 HOOD



- A - Snap on Hood
- B - Heat Tape Sealed Seams
- C - Drawstring w/Toggle

## 625 PANT

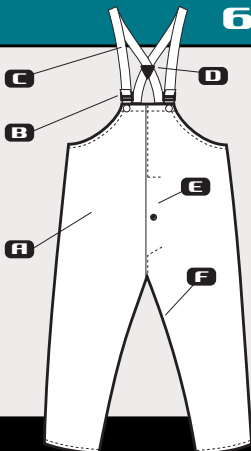
- A - Full Cut for Ease of Movement
- B - 1 1/2" Heavy Elastic Waistband
- C - Adjustable Drawstring w/Toggle
- D - Double Stitched at High Stress Areas



### OPTIONS

Reflective Tape, Pockets, Leg Zippers,  
Adjusted Garment Length, Cordura®  
Reinforcements, Reinforced Knee

## 650 BIB OVERALL

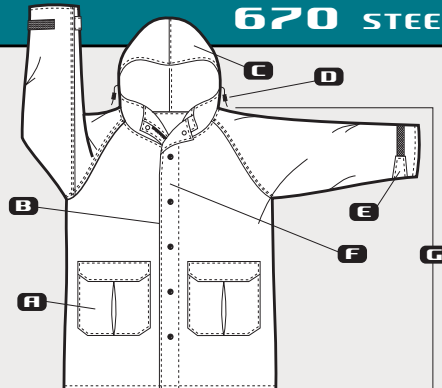


- A - Full Cut for Ease of Movement
- B - 1 1/2" Adjustable Suspender Clips
- C - 1 1/2" Heavy Duty Elastic Suspenders
- D - Suspender Strap Divider
- E - Fly w/Snap
- F - Double Stitched at High Stress Areas

### OPTIONS

Reflective Tape, Pockets, Leg Zippers,  
Adjusted Garment Length, Cordura®  
Reinforcements, Reinforced Knee

## 670 STEELHEADER PARKA



- A - Bellow Style Cargo Pockets
- B - Two Way YKK® Zipper
- C - Attached Hood w/Drawstring
- D - Hood Toggle Adjustments
- E - Hook & Loop Cuff Closures
- F - Storm Flap w/Snaps
- G - 36" Jacket Length

### OPTIONS

Reflective Tape, Pockets, Adjusted Sleeve Length

W A T E R P R O O F • W I N D P R O O F • D U R A B L E

# STORMCREEK II™

StormCreek II™ Polyurethane Coated Nylon Fabric (08-500 Series)



**08-500, 08-550**

StormCreek II features a two layer cape construction and vented back and front for breathability. Each layer is made of a polyurethane coating on 200 denier nylon. Since these garments are designed with the WaterShed "Shingle" Seam System, the need for seam sealing is restricted to a few key areas. We seam seal these key areas to assure you of a dry working environment. StormCreek II is flame retardant, anti-static, UV protected and Cold Flex tested to 20° below 0°.

**CARE INSTRUCTIONS:** Machine Wash, Drip Dry

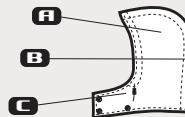
## ANSI APPROVED ▶

The ANSI option ordered on Lime Green StormCreek II meets ANSI/ISEA 107-1999 Class 3 requirements for reflectivity. This creates a highly visible and safe garment for applications that require this specification.

ORDER: 08-501, 08-551, 08-576

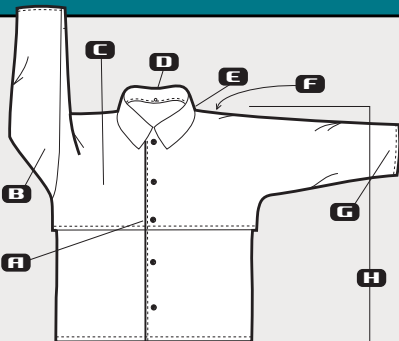


## 08-575 HOOD



- A - Double Layer Construction
- B - Three Panel Design
- C - Drawstring w/Toggle Adjuster

## 08-500 JACKET

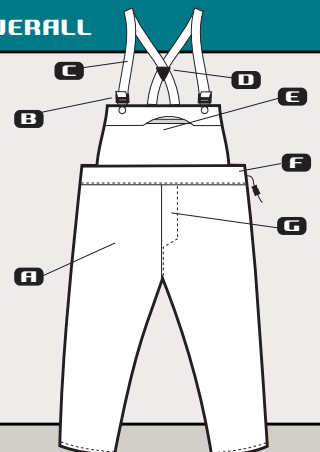


- A - Snap Storm Front
- B - Full Cut for Ease of Movement
- C - Cape Construction w/Double Sleeve
- D - Large Oversize Collar
- E - Hood Snaps for Optional Hood
- F - Vented Back w/Mesh Lining
- G - Hook & Loop Cuffs on Inner Sleeves
- H - 32" Jacket Length

### OPTIONS

Reflective Tape, Pockets, Hook & Loop Cuff Closures, Adjusted Sleeve Length

## 08-550 BIB OVERALL



- A - Double Layer Construction
- B - 1 1/2" Adjustable Suspender Clips
- C - 1 1/2" Heavy Duty Elastic Suspenders
- D - Suspender Strap Divider
- E - Waterproof Document Pocket
- F - Waist Drawstring
- G - Fly w/Snap

### OPTIONS

Reflective Tape, Pockets, Leg Zippers, Adjusted Garment Length, Cordura® Reinforcements, Reinforced Knee

SIZES: XS – 4XL (Special Order: 5XL+)

COLORS:

YELLOW

GREEN

ORANGE

LIME GREEN



# ECONOFLEX™

EconoFlex™ Polyurethane Coated Nylon Fabric (700 Series)

EconoFlex is the lighter weight version of StormCreek, employing a lighter finishing touches. The seams are sealed for waterproofing.

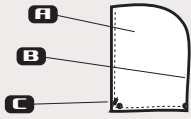
**Discontinued  
Limited Stock Still Available**

CARE INSTRUCTIONS: Machine Wash, Drip Dry



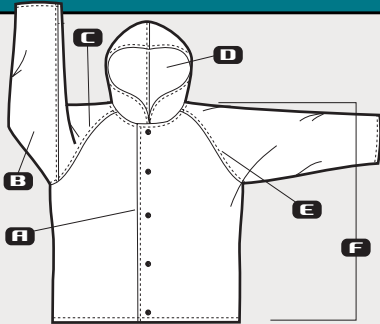
**700, 750**

## 775 HOOD



- A - Snap on Hood
- B - Heat Tape Sealed Seams
- C - Drawstring w/Toggle

## 737 HOODED JACKET

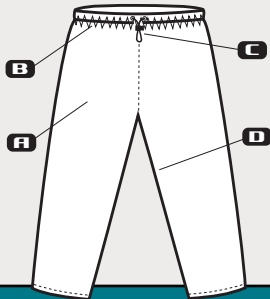


- A - Snap Storm Front
- B - Full Cut for Ease of Movement
- C - Double Stitched at All Stress Points
- D - Attached Hood w/Drawstring
- E - Heat Tape Sealed Seams
- F - 30" Jacket Length

**OPTIONS**  
Reflective Tape, Pockets, Hook & Loop Cuff Closures, Adjusted Sleeve Length

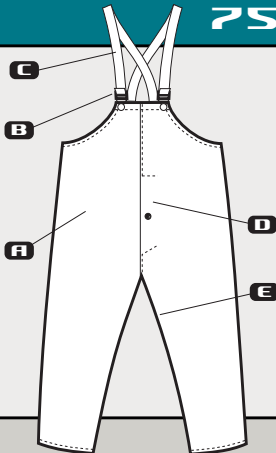
## 725 PANT

- A - Full Cut for Ease of Movement
- B - 1 1/2" Heavy Elastic Waistband
- C - Adjustable Drawstring w/Toggle
- D - Double Stitched at High Stress Areas



**OPTIONS**  
Reflective Tape, Pockets, Adjusted Garment Length

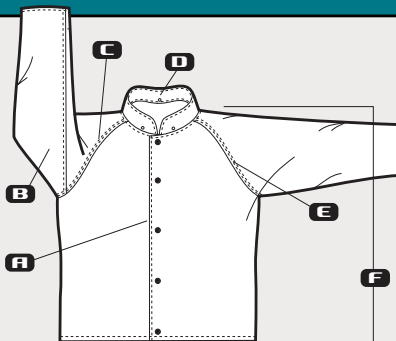
## 750 BIB OVERALL



- A - Full Cut for Ease of Movement
- B - 1 1/2" Adjustable Suspender Clips
- C - 1 1/2" Elastic Suspenders
- D - Fly w/Snap
- E - Double Stitched at High Stress Areas

**OPTIONS**  
Reflective Tape, Pockets, Adjusted Garment Length

## 700 JACKET



- A - Snap Storm Front
- B - Full Cut for Ease of Movement
- C - Double Stitched at All Stress Points
- D - Hood Snaps for Optional Hood
- E - Heat Tape Sealed Seams
- F - 30" Jacket Length

**OPTIONS**  
Reflective Tape, Pockets, Hook & Loop Cuff Closures, Adjusted Sleeve Length

**COLORS:** ORANGE YELLOW GREEN **SIZES:** XS - 4XL (Special Order: 5XL+)

# NITRISHED™

NitriShed™ Nitrile Coated Nylon Fabric (300 Series)



**300, 350**

NitriShed is one of WaterShed's first products. Made with a nitrile coating laminated to 200 denier nylon, this material is very flexible and feels good to wear. All seams are stitched for strength and heat tape sealed to make them waterproof.

**CARE INSTRUCTIONS: Machine Wash, Drip Dry**



**337, 350**

### 300 JACKET

- A - Snap Storm Front
- B - Full Cut for Ease of Movement
- C - Double Stitched at All Stress Points
- D - Orthowick® Lined Collar
- E - Hood Snaps for Optional Hood
- F - Heat Tape Sealed Seams
- G - 32" Jacket Length

**OPTIONS**  
Reflective Tape, Pockets, Hook & Loop Cuff Closures, Adjusted Sleeve Length

### 375 HOOD

- A - Snap on Hood
- B - Heat Tape Sealed Seams

### 337 HOODED JACKET

- A - Snap Storm Front
- B - Full Cut for Ease of Movement
- C - Snap Cuffs
- D - Double Stitched at All Stress Points
- E - Attached Hood w/Drawstring
- F - Heat Tape Sealed Seams
- G - 32" Jacket Length

**OPTIONS**  
Reflective Tape, Pockets, Hook & Loop Cuff Closures, Adjusted Sleeve Length

**SIZES:** XS – 4XL (Special Order: 5XL+)    **COLORS:** YELLOW    ROYAL BLUE    GREEN

# RUGGEDWEAR™

RuggedWear™ Neoprene Coated Nylon Fabric (200 Series)

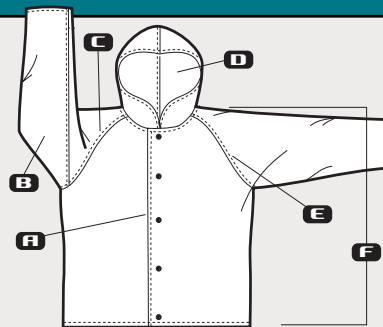


200, 250, 275

RuggedWear is the "good old fashioned" stuff that stood up by itself due to the stiffness of the material. We came up with a more flexible material and combined it with a design that allows greater freedom of movement. RuggedWear is made of neoprene rubber coated on 200 denier nylon. The seams are stitched and heat tape sealed for waterproofing.

CARE INSTRUCTIONS: Machine Wash, Drip Dry

## 237 HOODED JACKET

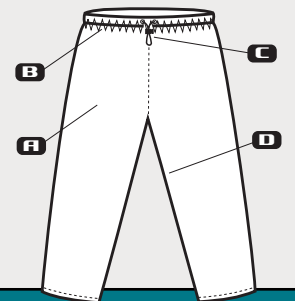


- A - Snap Storm Front
- B - Full Cut for Ease of Movement
- C - Double Stitched at All Stress Points
- D - Attached Hood w/Drawstring
- E - Heat Tape Sealed Seams
- F - 32" Jacket Length

OPTIONS  
Reflective Tape, Pockets, Hook & Loop Cuff Closures, Adjusted Sleeve Length

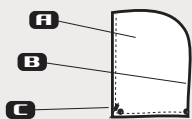
## 225 PANT

- A - Full Cut for Ease of Movement
- B - 1 1/2" Heavy Elastic Waistband
- C - Adjustable Drawstring w/Toggle
- D - Double Stitched at High Stress Areas



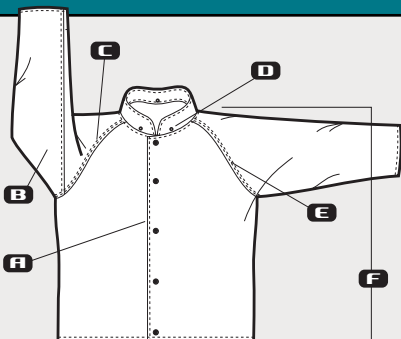
OPTIONS  
Reflective Tape, Leg Zippers, Adjusted Garment Length, Cordura® Reinforcements, Reinforced Knee

## 275 HOOD



- A - Snap on Hood
- B - Heat Tape Sealed Seams
- C - Drawstring w/Toggle

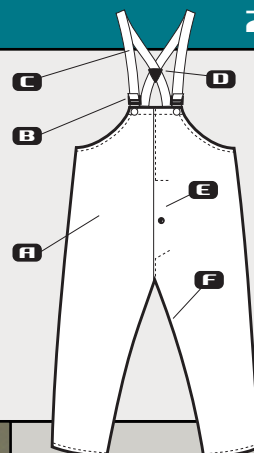
## 200 JACKET



- A - Snap Storm Front
- B - Full Cut for Ease of Movement
- C - Double Stitched at All Stress Points
- D - Hood Snaps for Optional Hood
- E - Heat Tape Sealed Seams
- F - 32" Jacket Length

OPTIONS  
Reflective Tape, Pockets, Hook & Loop Cuff Closures, Adjusted Sleeve Length

## 250 BIB OVERALL



- A - Full Cut for Ease of Movement
- B - 1 1/2" Adjustable Suspender Clips
- C - 1 1/2" Heavy Duty Elastic Suspenders
- D - Suspender Strap Divider
- E - Fly w/Snap
- F - Double Stitching at High Stress Areas

OPTIONS  
Reflective Tape, Leg Zippers, Adjusted Garment Length, Cordura® Reinforcements, Reinforced Knee

SIZES: XS - 4XL (Special Order: 5XL+)

COLORS:

YELLOW

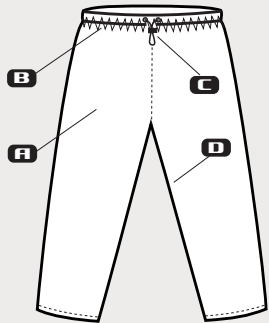
GREEN

# NITRISHED™

RuggedWear™ Neoprene Coated Nylon Fabric (200 Series)



## 325 PANT

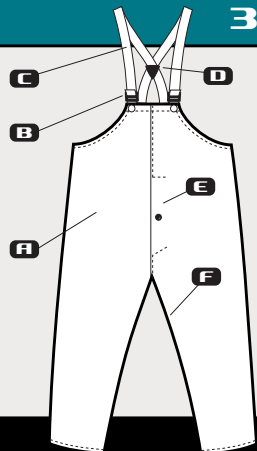


- A - Full Cut for Ease of Movement
- B - 1 1/2" Heavy Elastic Waistband
- C - Adjustable Drawstring w/Toggle
- D - Double Stitched at High Stress Areas

### OPTIONS

Reflective Tape, Pockets, Leg Zippers, Adjusted Garment Length, Cordura® Reinforcements, Reinforced Knee

## 350 BIB OVERALL

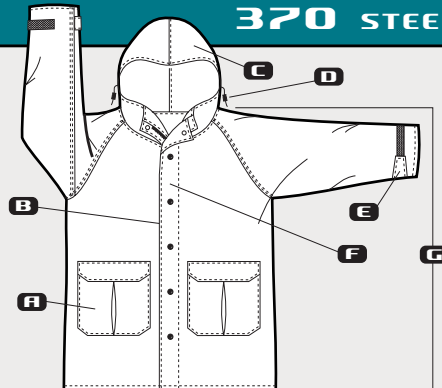


- A - Full Cut for Ease of Movement
- B - 1 1/2" Adjustable Suspender Clips
- C - 1 1/2" Heavy Duty Elastic Suspenders
- D - Suspender Strap Divider
- E - Fly w/Snap
- F - Double Stitched at High Stress Areas

### OPTIONS

Reflective Tape, Pockets, Leg Zippers, Adjusted Garment Length, Cordura® Reinforcements, Reinforced Knee

## 370 STEELHEADER PARKA



- A - Bellow Style Cargo Pockets
- B - Two Way YKK® Zipper
- C - Attached Hood w/Drawstring
- D - Hood Toggle Adjustments
- E - Hook & Loop Cuff Closures
- F - Storm Flap w/Snaps
- G - 36" Jacket Length

### OPTIONS

Reflective Tape, Pockets, Adjusted Sleeve Length

W A T E R P R O O F • W I N D P R O O F • D U R A B L E

# SILVERRIVER™

SilverRiver™ PVC Coated Polyester Fabric (08-400 Series)

SilverRiver is high quality medium weight rainwear for the cost conscious worker. Made of PVC on polyester materials. All seams are welded for strength and waterproofness. Available in three styles, two colors and a wide variety of sizes.

**CARE INSTRUCTIONS:** Machine Wash, Drip Dry



**08-437, 08-450**

**08-400 JACKET**

- A - Snap Storm Front
- B - Hidden Snaps
- C - Full Cut Sleeve
- D - Fabric Lined Collar
- E - Welded Seams

**08-437 HOODED JACKET**

- A - Snap Storm Front
- B - Hidden Snaps
- C - Full Cut Sleeve
- D - Attached Hood
- E - Hood Drawstring
- F - Welded Seams

**08-450 BIB**

- A - Full Cut for Ease of Movement
- B - Elastic Suspenders
- C - Side Release Bib Clips
- D - Welded Seams

**SIZES:** XS – 4XL (Special Order: 5XL+)    **COLORS:** YELLOW    GREEN

# INFO & OPTIONS

## Info & Options

### Available Options:

- Adjusted Length of Sleeve or Inseam
- Fleece Lined Handwarmer/Bellow Combo Pockets
- Pass Thru Pocket Access on Pants
- Bellows Pockets
- Pencil Pocket
- Leg Zippers
- Cordura Shoulder Covers
- Reinforced Knees
- Embroidery
- Zip in Fleece Liners
- Reflective Tape
- Flat Pockets
- Pliers Pocket(s)
- Cordura Leg Covers
- Cordura Seat Cover
- Screenprinting
- Pit Zippers
- Fly for Waist Pants
- Hook & Loop Cuff Closures

### REFLECTIVE TAPE PLACEMENT

- Coat Back
- Coat Elbow
- Coat Hem
- Coat Cuff
- Chest & Back
- Coat Flap
- Coat Sleeve
- Hem-Shoulder-Hem
- Pant Sides
- Pant Cuff
- Mid-Leg

### QUESTION:

**Why has water quit beading up on my GORE-TEX® and sometimes seems like it's leaking?**

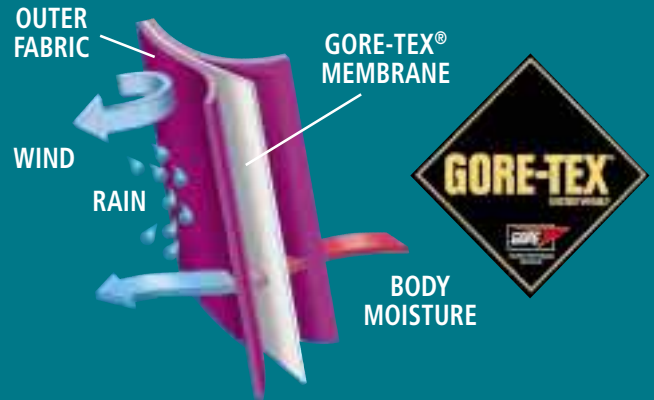
### ANSWER:

**Try machine washing and tumble drying.** This will rejuvenate the water repellency or Durable Water Repellency (DWR) that came with GORE-TEX® fabric from the factory. After multiple washings and heavy use the GORE factory DWR will diminish, allowing water to saturate the outer layer of polyester and, in effect, the water will lay right against the GORE membrane, impairing breathability. This might make you think it is leaking because your body vapor cannot escape as well as when it was new. If washing does not seem to bead-up the water anymore then try using a product endorsed by GORE to rejuvenate the DWR. **Tech-Wash** and **TX-Direct** made by Nikwax work extremely well. Be sure to have rips or holes repaired first as the **TX-Direct** treatment will keep repair tapes from sticking to the fabric.



### About GORE-TEX®

GORE-TEX® is a registered trademark of W.L. Gore and Associates, Inc. and is used by Gore and its licensees to signify their brand of functional windproof, durably waterproof, very breathable products. Gore manufactures the GORE-TEX® membrane, then laminates this membrane to become GORE-TEX® fabric. This fabric laminate is then cut and sewn to become GORE-TEX® outerwear.



### Why GORE-TEX®?

The combination of GORE-TEX® fabric and quality manufacturing adds up to outerwear that is:

**DURABLY WATERPROOF**—GORE-TEX® outerwear keeps you drier by remaining waterproof after exposures encountered on the job —repeated flexing in cold and wet conditions, multiple home laundry or dry cleaning cycles, and contaminants such as perspiration, oils, fuels, and insect repellents.

**VERY BREATHABLE**—GORE-TEX® outerwear is very breathable, meaning the moisture build-up (perspiration) within the garment is reduced, so you stay comfortable longer as you work harder. The breathability helps you stay drier and cooler in warmer, wet conditions, and prevents heat loss in cold conditions by keeping your body and clothing layers drier.

**WINDPROOF**—GORE-TEX® outerwear is also durably windproof, keeping you warmer and more protected from the elements by blocking the wind that can cause that chilling effect.

**DURABLY SEAM-SEALED**—Without durably taped seams, water will penetrate through stitch holes and garment seams, causing leakage inside the garment, even though the fabric may be waterproof. GORE-SEAM® tape remains durably waterproof after repeated use and launderings.

### What is the Difference Between Waterproof and Water-repellent Fabrics?

**WATER-REPELLENT OR WATER-RESISTANT FABRICS**—These fabrics by themselves withstand less than 1 p.s.i. of water entry pressure. Fabrics that are merely water-repellent or water-resistant have many legitimate applications, but they do not provide the protection necessary to stay out in wet weather.

**WATERPROOF FABRICS**—There is no accepted standard for waterproofness. However, to be waterproof, a fabric must have the ability to withstand water entry in active use conditions such as hiking in wind driven rain, sitting or kneeling on a wet surface or sustaining the pressure of a wet pack strap on a shoulder. When seated, a 165 lb. person exerts about 3 pounds per square inch (p.s.i.) and about 16 p.s.i. when kneeling.

**GORE-TEX® FABRICS WITHSTAND 65 p.s.i. WATER ENTRY PRESSURE**—The most commonly used microporous coated fabrics only withstand 3.3 p.s.i. to 5 p.s.i. (U.K. standard test method).

# INFO & OPTIONS

Info & Options



**SP-HWP**

▲ HAND WARMER POCKET



**SP-PITZIPS**

▲ PIT ZIPPER



**SP-CS**

▲ CORDURA® SHOULDER



**08-PJ 960**

▲ REVERSIBLE ZIP-IN LINER



**SP-12ZIPS**

12" LEG ZIPPER ▲



**SP-BP**

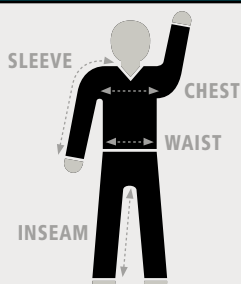
▲ BELLOWS POCKET



**SP-CL, SP-CS**

▲ CORDURA® LEGS & SEAT

## UNISEX SIZE CHART \*Measurements are in inches



	SIZE	XSM	SML	MED	LGE	1XL	2XL	3XL	4XL	5XL	6XL
COAT	Chest	35-37	38-40	41-43	44-46	47-49	50-52	53-55	56-58	59-61	62-64
	Sleeve	30.5	31	31.5	32	32.5	33	33.5	33.5	33.5	33.5
PANTS	Waist	27-29	30-32	33-35	36-38	39-41	42-44	45-47	48-50	51-53	54-56
	Inseam	28.5	29	29.5	30	31	32	32.5	33	33.5	34

W A T E R P R O O F • W I N D P R O O F • D U R A B L E

T A K E   S H E L T E R   I N   T H E   U L T I M A T E   R A I N W E A R

**WaterShed Inc.**

2895 Valpak Road NE  
PO Box 7746  
Salem, Oregon 97303

**800.848.8092**

503.585.6741  
503.581.7604 (FAX)

[sales@watershed-rainwear.com](mailto:sales@watershed-rainwear.com)

For more information about WaterShed and its  
products, please visit [www.watershed-rainwear.com](http://www.watershed-rainwear.com)